

COMPLETE THE CABLE PART NUMBER IN THE BOX

X1	-4	39-	<input type="checkbox"/> 1/4-28 <input type="checkbox"/> M6x1.0
HEAD	TRAVEL	LENGTH	THREAD SIZE (CHECK ONE)

NAME: _____

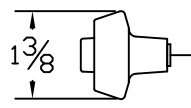
ADDRESS: _____

PHONE: _____

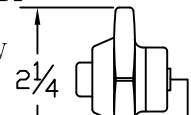
SIGNATURE: _____

BY SIGNING I APPROVE THE MEASUREMENTS ON THIS DRAWING, AND UNDERSTAND THAT THIS CUSTOM CABLE IS NON-RETURNABLE

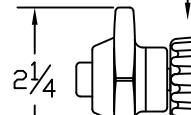
90 = VERNIER
SMALL
BLACK
HEAD



92 = VERNIER
BLACK HEAD
BLACK BUTTON



94 = VERNIER
BLACK HEAD
RED BUTTON



73 = TWIST TO LOCK
"T" HANDLE

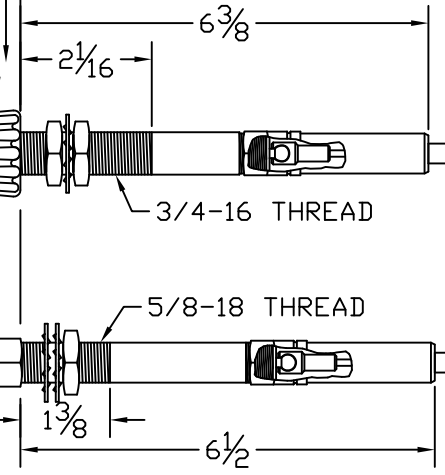
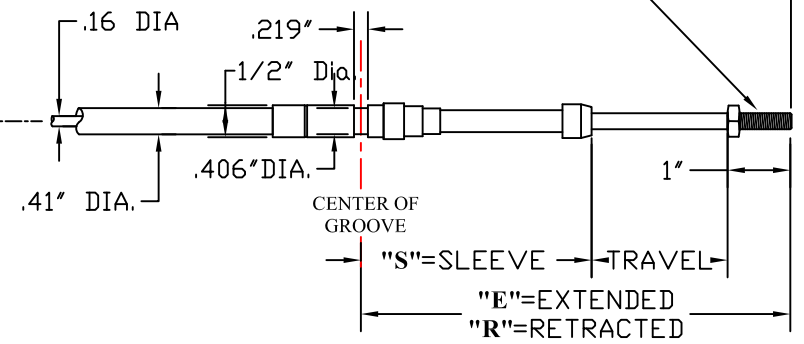


Travel	*E EXTENDED	*R RETRACTED	S SLEEVE
1"	4-11/16"	3-1/2"	2-1/2"
2"	6-11/16"	4-1/2"	3-1/2"
3"	8-11/16"	5-1/2"	4-1/2"

*ALL TRAVEL MEASUREMENTS ARE +/- 1/8"

LENGTH

SPECIFY ROD THREAD



Revisions
Rel-

6019 CR 77 - Millersburg, OH 44654 - (330) 893-0242

CABLE ORDER SHEET

4 SERIES, HP THROTTLE / CLAMP

Drawn: JWY	Date: 3/20/2020	Drawing Number	Rev
Sim to:		X1xx-4x39-LGTH	Rel

Page 1 of 1