

# COMPLETE THE CABLE PART NUMBER IN THE BOX

<b>X1</b>	<b>-3</b>	<b>39-</b>	<input type="checkbox"/> 10-32 <input type="checkbox"/> M5x0.8
HEAD	TRAVEL	LENGTH	THREAD SIZE (CHECK ONE)

NAME: \_\_\_\_\_

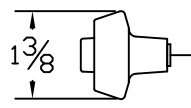
ADDRESS: \_\_\_\_\_

PHONE: \_\_\_\_\_

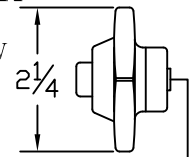
## SIGNATURE: \_\_\_\_\_

BY SIGNING I APPROVE THE MEASUREMENTS ON THIS DRAWING, AND UNDERSTAND THAT THIS CUSTOM CABLE IS NON-RETURNABLE

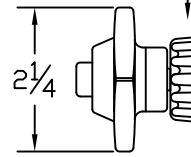
**90 = VERNIER**  
SMALL  
BLACK  
HEAD



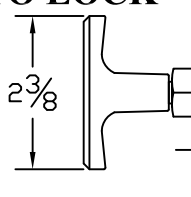
**92 = VERNIER**  
BLACK HEAD  
BLACK BUTTON



**94 = VERNIER**  
BLACK HEAD  
RED BUTTON



**73 = TWIST TO LOCK**  
"T" HANDLE

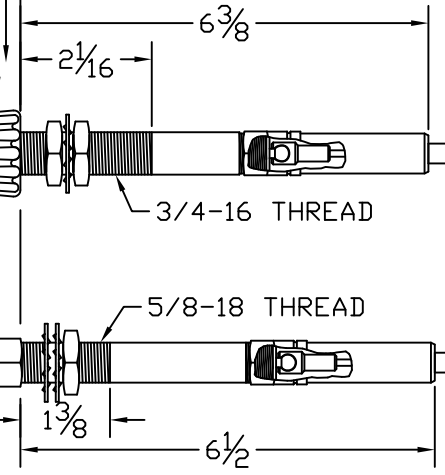
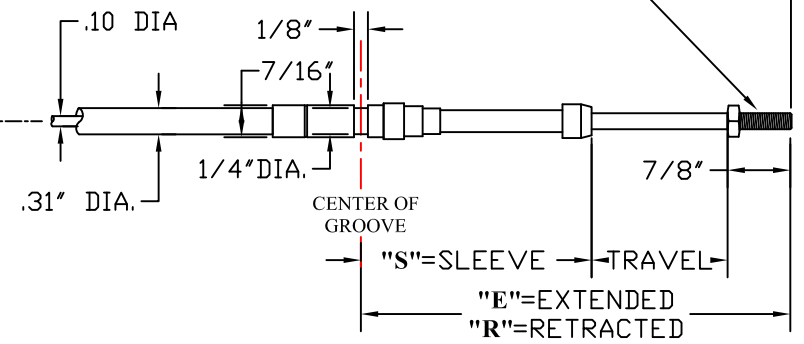


Travel	*E EXTENDED	*R RETRACTED	S SLEEVE
1"	4-5/16"	3-5/16"	2-7/16"
2"	6-5/16"	4-5/16"	3-7/16"
3"	8-5/16"	5-5/16"	4-7/16"

\*ALL TRAVEL MEASUREMENTS ARE +/- 1/8"

LENGTH

SPECIFY ROD THREAD



Revisions
Rel-

6019 CR 77 - Millersburg, OH 44654 - (330) 893-0242

### CABLE ORDER SHEET

#### 3 SERIES, HP THROTTLE / CLAMP

Drawn: JWY	Date: 3/20/2020	Drawing Number	Rev
Sim to:		X1xx-3x39-LGTH	Rel

Page 1 of 1