

COMPLETE THE CABLE PART NUMBER IN THE BOX

<div style="border: 1px dashed black; padding: 2px; display: inline-block;">Travel</div>	<div style="border: 1px dashed black; padding: 2px; display: inline-block;">LENGTH</div>	<div style="border: 1px dashed black; padding: 2px; display: inline-block;">THREAD SIZE (CHECK ONE)</div>	<input type="checkbox"/> 3/8-24 <input type="checkbox"/> M10x1.5
--	--	---	---

NAME: _____

ADDRESS: _____

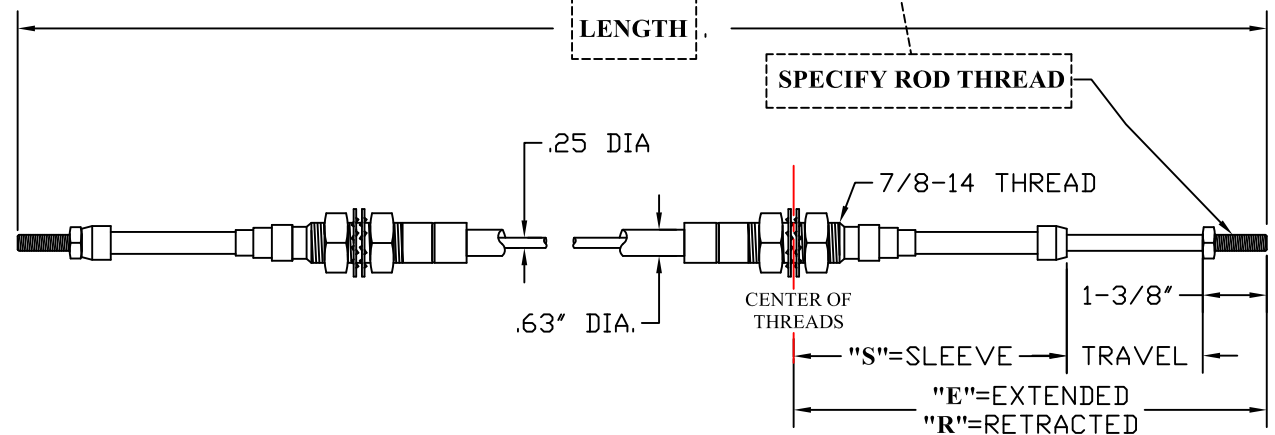
PHONE: _____

SIGNATURE: _____

BY SIGNING I APPROVE THE MEASUREMENTS ON THIS DRAWING, AND UNDERSTAND THAT THIS CUSTOM CABLE IS NON-RETURNABLE

Travel	*E EXTENDED	*R RETRACTED	S SLEEVE
1"	6-3/16"	5-1/16"	3-11/16"
2"	8-3/16"	6-1/16"	4-11/16"
3"	10-3/16"	7-1/16"	5-11/16"
4"	12-3/16"	8-1/16"	6-11/16"
5"	14-3/16"	9-1/16"	7-11/16"
6"	16-3/16"	10-1/16"	8-11/16"
7"	18-3/16"	11-1/16"	9-11/16"

*ALL TRAVEL MEASUREMENTS ARE +/- 1/8"



Revisions

Rel-



6019 CR 77 - Millersburg, OH 44654 - (330) 893-0242

CABLE ORDER SHEET
8 SERIES, BULKHEAD/BULKHEAD

Drawn: JWY | Date: 3/20/2020

Drawing Number

Rev

Sim to:

X100-8x22-LGTH

Page 1 of 1