

COMPLETE THE CABLE PART NUMBER IN THE BOX

<div style="border: 1px dashed black; padding: 5px; display: inline-block;">Travel</div>	<div style="border: 1px dashed black; padding: 5px; display: inline-block;">LENGTH</div>	<input type="checkbox"/> 5/16-24 <input type="checkbox"/> M8x1.25	<div style="border: 1px dashed black; padding: 5px; display: inline-block;">THREAD SIZE (CHECK ONE)</div>
X100-6	22-		

NAME: \_\_\_\_\_

ADDRESS: \_\_\_\_\_

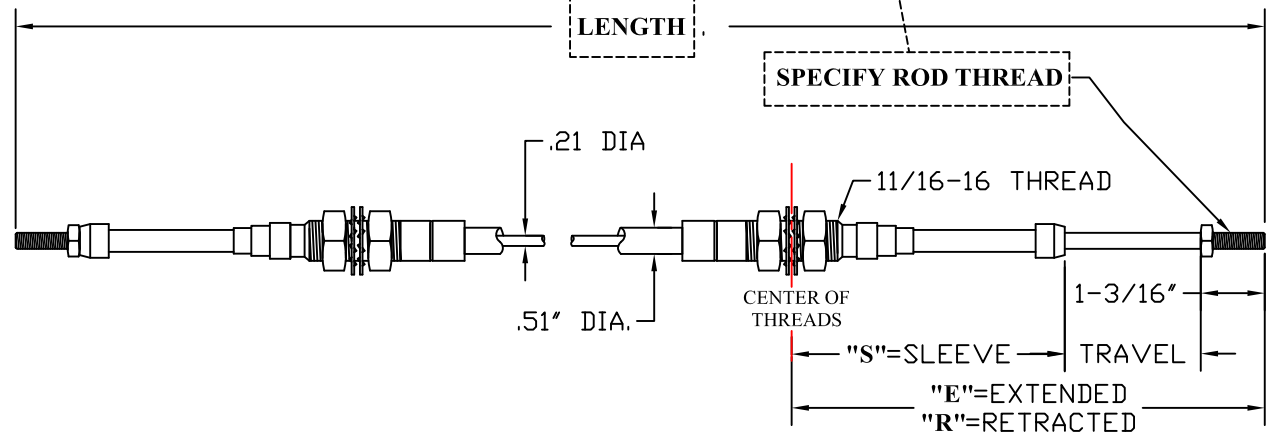
PHONE: \_\_\_\_\_

**SIGNATURE:** \_\_\_\_\_

BY SIGNING I APPROVE THE MEASUREMENTS ON THIS DRAWING, AND UNDERSTAND THAT THIS CUSTOM CABLE IS NON-RETURNABLE

Travel	*E EXTENDED	*R RETRACTED	S SLEEVE
1"	5-5/8"	4-7/16"	3-1/4"
2"	7-5/8"	5-7/16"	4-1/4"
3"	9-5/8"	6-7/16"	5-1/4"
4"	11-5/8"	7-7/16"	6-1/4"
5"	13-5/8"	8-7/16"	7-1/4"
6"	15-5/8"	9-7/16"	8-1/4"
7"	17-5/8"	10-7/16"	9-1/4"

\*ALL TRAVEL MEASUREMENTS ARE +/- 1/8"



Revisions

Rel-



6019 CR 77 - Millersburg, OH 44654 - (330) 893-0242

**CABLE ORDER SHEET**  
6 SERIES, BULKHEAD/BULKHEAD

Drawn: JWY | Date: 3/20/2020

Drawing Number

Rev  
Rel

Sim to:

X100-6x22-LGTH

Page 1 of 1