

COMPLETE THE CABLE PART NUMBER IN THE BOX

X100-3	22-	<input type="checkbox"/> 10-32 <input type="checkbox"/> M5x0.8
Travel	LENGTH	THREAD SIZE (CHECK ONE)

NAME: _____

ADDRESS: _____

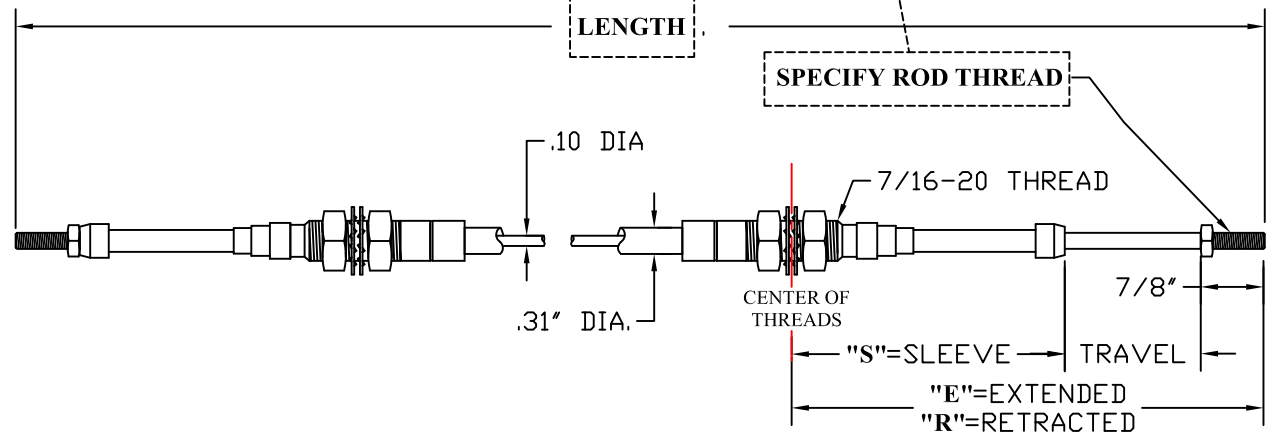
PHONE: _____

SIGNATURE: _____

BY SIGNING I APPROVE THE MEASUREMENTS ON THIS DRAWING, AND UNDERSTAND THAT THIS CUSTOM CABLE IS NON-RETURNABLE

Travel	*E EXTENDED	*R RETRACTED	S SLEEVE
1"	5-1/8"	4"	3-1/8"
2"	7-1/8"	5"	4-1/8"
3"	9-1/8"	6"	5-1/8"
4"	11-1/8"	7"	6-1/8"
5"	13-1/8"	8"	7-1/8"
6"	15-1/8"	9"	8-1/8"
7"	17-1/8"	10"	9-1/8"

*ALL TRAVEL MEASUREMENTS ARE +/- 1/8"



Revisions

Rel-



6019 CR 77 - Millersburg, OH 44654 - (330) 893-0242

CABLE ORDER SHEET
3 SERIES, BULKHEAD/BULKHEAD

Drawn: JWY | Date: 3/20/2020

Drawing Number

Rev

Sim to:

X100-3x22-LGTH

Page 1 of 1